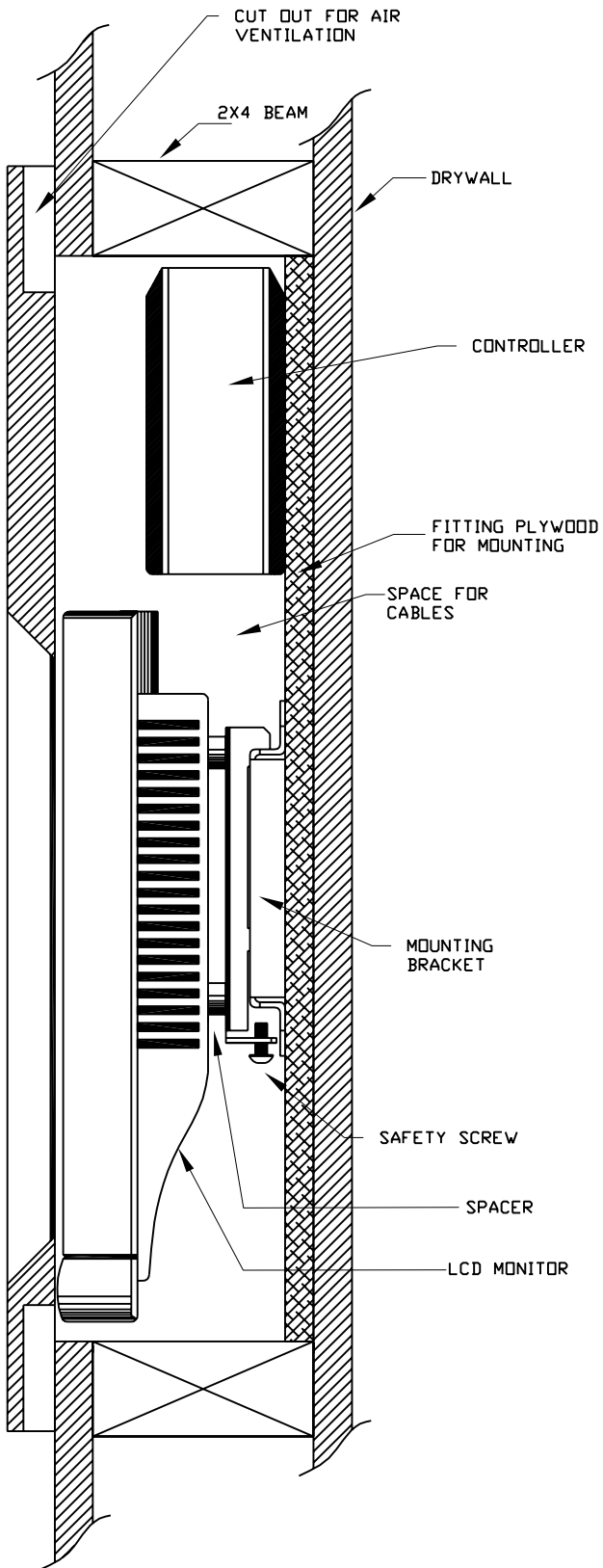
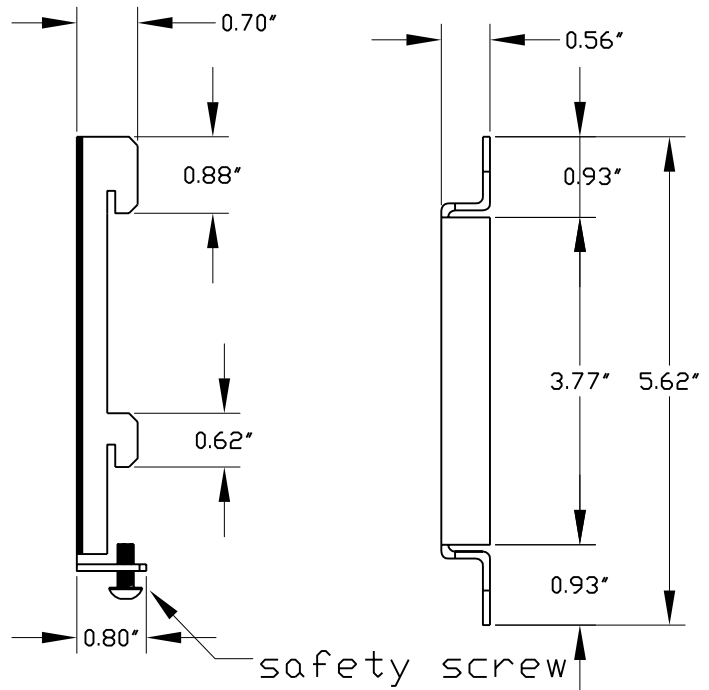
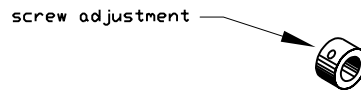
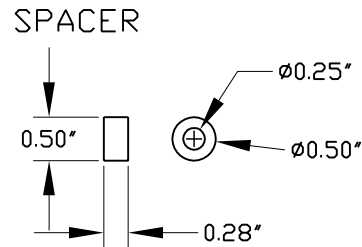


15" LCD RECESSED INSTALLATION



NOTES:
 THIS DISPLAY SYSTEM MUST BE INSTALLED BY QUALIFIED TECHNICIANS IN COMPLIANCE WITH LOCAL CODES AND REQUIREMENTS. IT IS IMPERATIVE THAT THE SYSTEM BE INSTALLED SECURELY, AND THAT THE MOUNTING SURFACE (WALL) BE STRONG ENOUGH TO SUPPORT THE WEIGHT OF THE DISPLAY AND DECORATIVE FRAME



	SIZE	JANUS DIGITAL DISPLAYS		
DWG NO. 15" RECESSED INSTALLATION				
JANUARY/08/2007	SCALE	N.T.S.	DRAWN	GABOR
				SHEET 1